



Vorteile auf einen Blick

- Geeignet für die Einlass-Montage in Holz- oder Aluminium-Fenster und Türen.

Lieferumfang

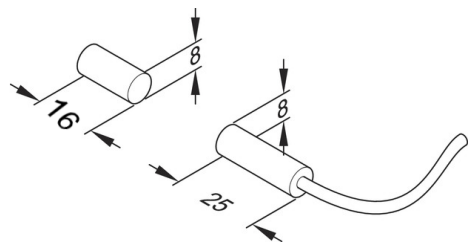
- Rundreedkontakt

Hinweis

- Schließer

Technische Daten

Max. Kontaktbelastbarkeit	30 V DC
Min. Kontaktbelastbarkeit	1,5 V DC
Max. Schaltabstand	10 mm
VdS-Klasse	Klasse A
VdS-Anerkennung	G196719
Länge Kontakt	25 mm
Länge Magnet	16 mm
Durchmesser	8 mm
Länge Anschlussleitung	6 m
Adernanzahl	2-adrig
Bauform	Rundreedkontakt
Farbe	Weiß (ähnlich RAL 9010)
Material Gehäuse	Kunststoff



Artikelnummer	082001.17----00
---------------	-----------------

Mounting and Connecting Instruction

Circular reed contact with flange

Class A
030010.04
030010.06

Class B
030246
030247
030210.06

Installation support

030801
030815

General

The circular reed contact with flange comprises the reed contact with connected cable (fixed) and permanent magnet. Both parts are in a plastic housing with identical dimensions. The reed contact is activated externally via the permanent magnet or its magnetic field. The contact is suitable for installation in non-ferromagnetic materials, e.g. wood, plastic or aluminium.



ATTENTION:

It is strictly prohibited to use heavy tools for installation purposes, (e.g. hammer).

Never place or store magnets with identical poles together as this causes a considerable reduction in power.

Both the magnetic contact and magnet must be mounted frontal to one another.

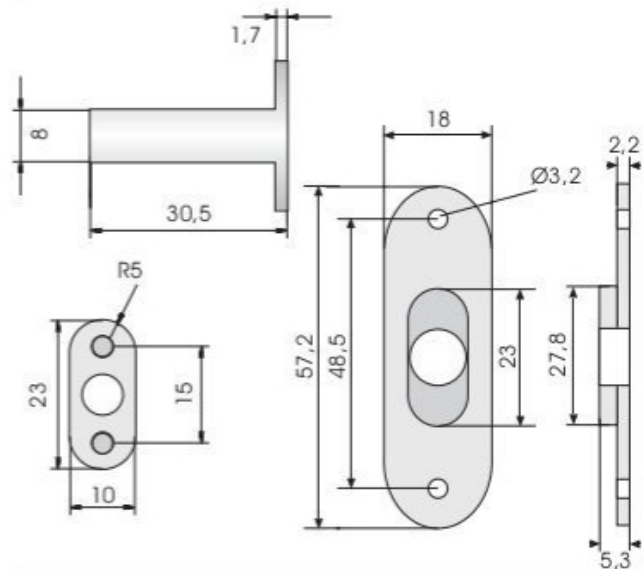
Check the electrical switching function of the magnetic contact after installation.

When installing with installation support only use screws of an antimagnetic material.

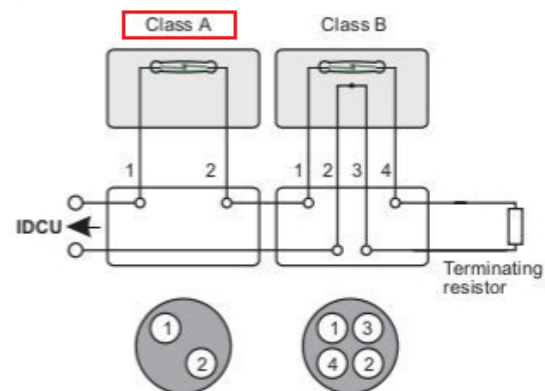
Technical data:

Contact rating (only resistive load)	max. 30 V DC/100 mA min. 1.5 V DC/1.5 mA
Cable length	4 m or 6 m (depending on type)
Environmental class as per VdS III	
Max. switching interval	Approx. 5 mm
Colour versions	Grey white (similar to RAL 9002) Brown (similar to RAL 8017)

Dimensioned drawing

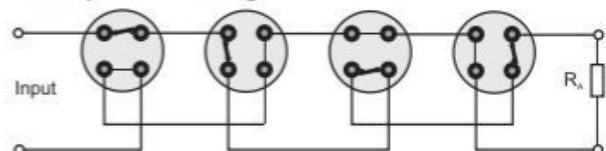


Connection diagram



The following diagram illustrates that the series connection of the contacts always remains the same irrespective of which pairs of leads are used.

Principle of Z wiring



The cable is connected by two diagonal lines for input and output which are opposite to one another.

Cable cross section:

