

Electric strike EPR-101-XM-VAR-M01-DOORS



Series **100 ECOLINE** excels in versatility and adaptability.

It is symmetrically constructed, so it is universal for left and right handed doors.

Its Radial jaw feature incorporates a latch that spins on a displaced axis towards the bottom of the electric release allowing to reduce its movement area. The installation is easier, more aesthetic and allows a smaller cutout in the frame of the door.



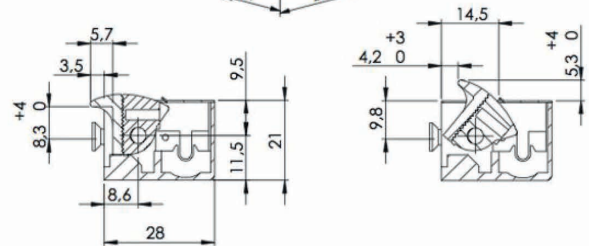
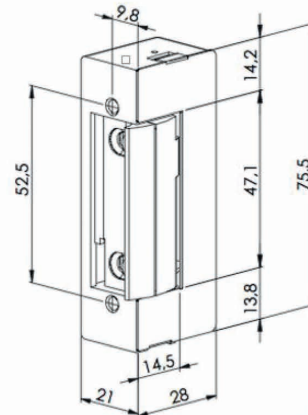
300.000 cycles
300 kg

Electrical characteristics:

	M01	S01	ST1	S03
Voltage range:	8-12V AC	11-12V DC	12V AC/DC	11-12V DC
Allowed powering time:	Moment.	Contin.	Moment.	Contin.
Coil resistance (ohm):	17	45	30	60
VAC power consumption (mA):	370 (8V)	-	-	-
VAC power consumption (mA):	560 (12V)	-	650 (12V)	-
Consumption stabilized VDC (stabilized):	470 (8V)	-	-	-
Consumption stabilized VDC (stabilized):	700 (12V)	260 (12V)	400 (12V)	200 (12V)
Max, preload latch to open (AC) in N:			110 (12V)	

Technical characteristics

High: max. 75,50 mm
 Width: max. 21,00 mm
 Depth: max. 28,00 mm
 VARIO Micro-adjusting: 4,00 mm
 Holding force: 3.250N
 Operating temperature range: -15°C do +40°C
 Cycles tested on power electricity: 300.000



Artikel	Fail secure	Fail safe	Delay action	Delay action automat. adjustable	Delay action - invisible	Latching spring hardness	Unlatching mechanism	Micro-switch	VARIO Micro-adjust.	Adjustable jaw
EPR-101-XM-VAR-M01-DOORS						hard	x		x	optional